



Ice Maker

Instruction manual



Caution: Read the instructions before using the appliance.

This appliance complies with Lead Free requirement.

Model:
GK031-A / GK032-A

Safety Instructions

When using electrical appliances, basic safety precautions should be followed to reduce the risk of fire, electric shock, and injury to persons or property. Read all instructions before using the appliance.

- Position on a flat, stable surface.
- A service agent/qualified technician should carry out installation and any repairs if required. Do not remove any components or service panels on this product.
- **In Queensland the service agent/qualified technician MUST hold a Gas Work Authorisation or License for hydrocarbon refrigerants if the appliance gas system is being opened or charged.**
- Consult Local and National Standards to comply with the following:
 - Health and Safety at Work Legislation
 - Fire Precautions
 - Wiring Regulations
 - Building Regulations
- DO NOT immerse in water, or use steam/jet washers to clean the unit.

- DO NOT cover the appliance when it is operating.
- Always carry, store and handle the appliance in a vertical position.
- Never tilt the appliance more than 45° from the vertical.
- ONLY use drinking or potable water when making ice cubes.
- Ensure the water pressure of the connected water supply is between 100kPa - 400kPa (14.5-58psi).
- For indoor use only.
- Replace any unused water in the tank at least once every 24 hours.
- Keep all packaging away from children. Dispose of the packaging in accordance with the regulations of local authorities.
- This appliance can be used by children aged from 8 years and above and persons with reduced physical, sensory or mental capabilities or lack of experience and knowledge if they have been given supervision or instruction concerning use of the appliance in a safe way and understand the hazards involved.

- Children shall not play with the appliance.
- Cleaning and user maintenance shall not be made by children without supervision.
- If the power cord is damaged, it must be replaced by a POLAR agent or a recommended qualified technician in order to avoid a hazard.
- Polar recommend that this appliance should be periodically tested (at least annually) by a Competent Person. Testing should include, but not be limited to: Visual Inspection, Polarity Test, Earth Continuity, Insulation Continuity and Functional Testing.
- This appliance is intended to be used in household and similar applications such as:
 - staff kitchen areas in shops, offices and other working environments;
 - farm houses;
 - by clients in hotels, motels and other residential type environments;
 - bed and breakfast type environments;
 - catering and similar non-retail applications.
- Children aged from 3 to 8 years are allowed to load and unload refrigerating appliances.
- When positioning the appliance, ensure the supply cord is not trapped or damaged.
- **WARNING:** Do not locate multiple portable socket-outlets or portable power supplies at the rear of the appliance.
- Do not run the power cord carpeting or other heat insulators. Do not cover the cord. Keep cord away from traffic areas, and do not submerge in water.
- Do not clean your ice maker with flammable fluids. The fumes can create a fire hazard or explosion.
- We do not recommend the use of an extension cord, as it may overheat and lead to a risk of fire. Unplug the ice maker before cleaning, making any repairs or servicing.

- POLAR recommend that this product is connected to a circuit protected by an appropriate RCD (Residual Current Device).

Warning: Risk of Fire flammable materials



- Refrigerant R600a / R290, is natural gas with high environmental compatibility, but also combustible. When transporting and installing, ensure that no parts of refrigerating circuit are damaged. Refrigerant leaked from the refrigerating pipes could ignite. If leaking is detected, to avoid any potential source of ignition (spark, naked flames, etc.), please open window or door, and keep good ventilation.
- Do not store explosive substances such as aerosol cans with a flammable propellant in this appliance.

Warning: Keep all ventilation openings clear of obstruction. Unit should not be boxed in without adequate ventilation.

- **To comply with AS/NZS 60079.10.1:2009: Ensure there are not sources of ignition in any area where refrigerant could gather in the event of a leak.**
- **Electrical equipment should not be placed under the vent or where refrigerant could gather in the event of a leak.**
- **Warning:** Do not use mechanical devices or other means to accelerate the defrosting process, other than those recommended by the manufacturer.
- **Warning:** Do not damage the refrigerant circuit.
- **Warning:** Do not use electrical appliances inside the food storage compartments of the appliance.

Introduction

Please take a few moments to carefully read through this manual. Correct maintenance and operation of this machine will provide the best possible performance from your POLAR product.

The ice maker is designed to make ice cubes and should not be used as storage to preserve foods, drinks, etc.

Pack Contents

The following is included:

- Ice Maker
- Ice scoop
- Inlet/Outlet hoses
- Sealing washers
- Instruction manual
- Backflow prevention valve
- 3/4 connector

POLAR prides itself on quality and service, ensuring that at the time of unpacking the contents are supplied fully functional and free of damage.

Should you find any damage as a result of transit, please contact your POLAR dealer immediately.



Note: Only use the hoses supplied with the appliance. Other hoses are not suitable and should not be used.

Installation

Note: Not for use in vans or trailers, food trucks or similar vehicles.

Note: If the unit has not been stored or moved in an upright position, let it stand upright for approximately 12 hours before operation. If in doubt allow to stand.

1. Remove the appliance from the packaging and remove the protective film from all surfaces.
2. Remove the Scoop, Inlet/Outlet hoses and Sealing Washers from the ice bin.
3. To optimize performance and longevity, ensure a minimum clearance of 2.5cm is maintained between the unit and walls and other objects, with a minimum 20cm clearance on the top. **NEVER LOCATE NEXT TO A HEAT SOURCE.**
4. If necessary, adjust the screw legs of the ice maker to make it level. The efficiency of the ice maker can be reduced if the appliance is unevenly located.

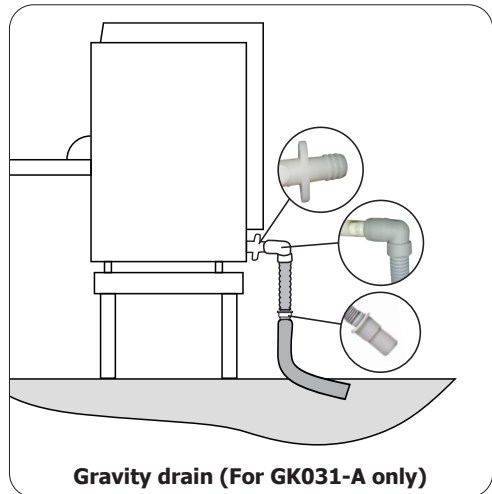


For all plumbing installation, it must comply with requirements of AS/NZS 3500.1 and AS/NZS3500.2, and all other Local Authority Regulations.

Installing the Drainage pipe

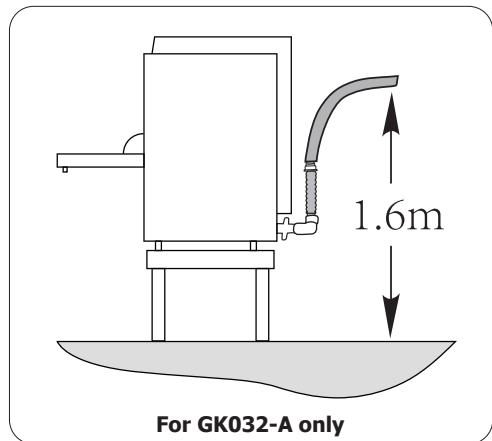
For GK031-A only:

- **Please note: this model drains via gravity - no drain pump supplied. An optional drain pump is required if installing this unit lower than the drain standpipe.**
- **Ensure the end of the drainage pipe is situated lower than the Water Outlet valve for efficient drainage.**



For GK032-A only:

GK032-A is fitted with a drain pump and has the ability to pump water to a maximum height of 1.6m.



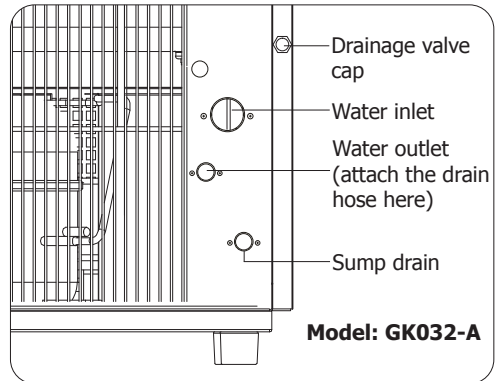
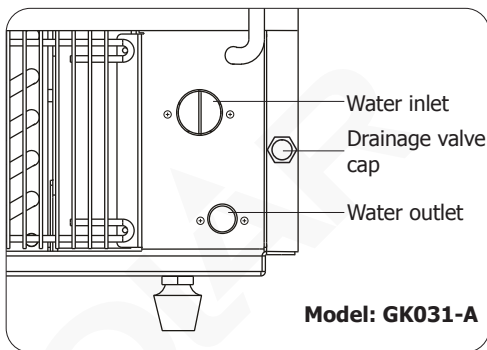
5. Connect one end of the corrugated outlet hose to the water outlet on the rear of the ice maker. **Note:** With the special design of the joints at both ends, the drainage pipe, after connected, is featured with strong pulling-resistance and thus guarantees good water tightness.
6. Attach the other end of the hose to a plumbed-in stand waste pipe or container suitable for collecting waste water.

Installing the Cold Water Feed



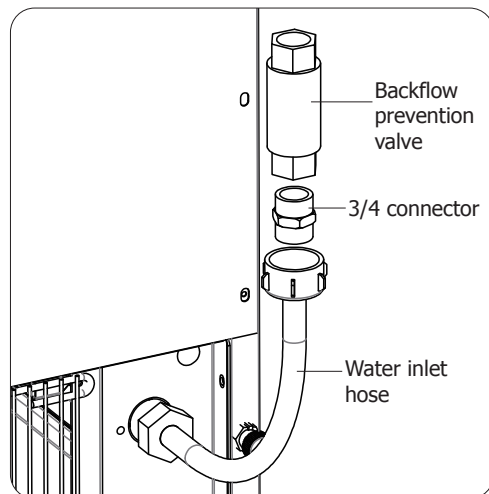
The highest temperature for the water to be used: 38°C

7. Place the sealing washers on the water inlet at the back of the ice maker and attach one end of the inlet hose.



For cleaning and maintenance (GK032-A only): you can remove the cap on the sump drain to drain all of the water from the machine when the power is off.

8. Connect the 3/4 connector to the other end of the water inlet pipe and the backflow prevention valve, then connect the valve to the water supply.



Note: For all plumbing installation, it must comply with requirements of AS/NZS 3500.1 and AS/NZS 3500.2, and all other Local Authority Regulations.

Operation

Making Ice



Note: Before using for the first time (or after a period of inactivity), clean the water tank, ice basket and ice basket shelf. Use the first ice making cycle to flush out the system.

Discard the water and ice created from the first cycle.

1. Ensure the door is closed fully before use.
2. Press the Power switch to the On position [**I**]. The **RUN** light illuminates and the appliance begins the ice making process. Each ice making cycle takes approximately 25 minutes.
3. When the cubes reach the ice sensor ice production stops. Production resumes once ice has been removed from the bin.
4. Press the Power switch to the Off position [**O**] at any time to halt the ice making process.



Note: Ensure metal rack is pushed as far forward as possible against plastic ice curtain to allow ice to fall.

To avoid contamination of ice, please respect the following instructions:

- Opening the door for long periods can cause a significant increase of the temperature in the compartments of the appliance.
- Clean regularly surfaces that can come in contact with ice and accessible drainage systems.
- Clean water tanks if they have not been used for 48h; flush the water system connected to a water supply if water has not been drawn for 5 days.
- If the refrigerating appliance is left empty for long periods, switch off, defrost, clean, dry, and leave the door open to prevent mould developing within the appliance.

Cleaning, Care & Maintenance

- Always switch off and disconnect the power supply before cleaning.
- Warm, soapy water is recommended for cleaning. Cleaning agents may leave harmful residues. DO NOT wash the base unit, instead wipe the exterior with a damp cloth.
- Clean the water filter regularly with a small brush, particularly in hard water areas. The water filter is located just inside the water inlet at the back of the appliance.
- If the Ice Maker is to be left unused for longer than 24 hours, loosen the drain valve cap and drain the water from the tank.
- The inner removable parts and water tank should be cleaned regularly.

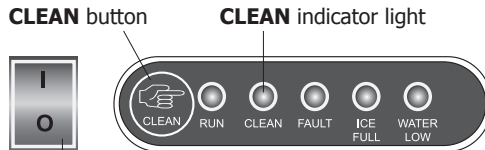


Filter for the drain system (for GK032-A only): Check the filter monthly and clean if required. Ensure the filter is repositioned correctly after cleaning.

Automatic Cleaning Function

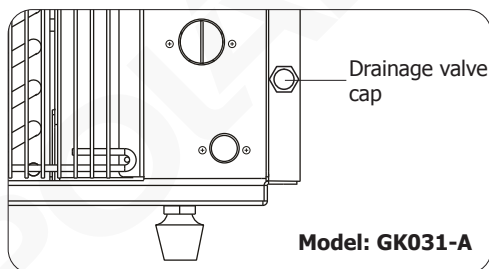
This Ice Maker is featured with an automatic cleaning function. When the appliance has completed up to 1500 ice-making cycles (roughly after 3-month routine use), the "CLEAN" indicator light will flash with audible alarm, indicating the unit needs to be cleaned. It will keep flashing and alarming until auto-cleaning is started, during which ice can still be made.

1. Press and hold the "CLEAN" button for 3 seconds. The water box at the top will turn down and up. When it returns to horizontal position, press the power switch to **O** (OFF position) and unplug the machine. Make sure no water remains in the water box.

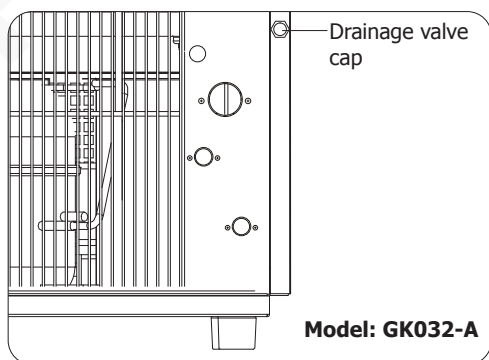


Power switch

2. Unscrew the drainage valve cap at the right lower part at the rear. Let the water drain from the water reservoir thoroughly. Afterwards, re-locate the drainage cap and screw tight.



Model: GK031-A



Model: GK032-A

3. Add dilute cleaner into the reservoir (2.2L for GK031-A, 3L for GK032-A). **Note:** Choose ice maker specific cleaner and follow the manufacturer's instructions.



4. Plug the unit and press the power switch to **I** (ON position). The "CLEAN" indicator light will flash again.
5. Press and hold the "CLEAN" button for 3 seconds. The "CLEAN" indicator light will stop flashing and illuminate. The cleaner in the water reservoir will be pumped into the water box to start cleaning. After about 10 minutes, the water box turns to vertical to drop the cleaner. The appliance will repeat above procedures twice.
6. Turn the unit off and unplug. Remove the drainage valve cap to empty the water reservoir. When the unit is turned on again, the "CLEAN" indicator light will not light up or flash, indicating the whole auto-cleaning is completed. Note: A cycle takes about 30 minutes.

Note: If the "WATER LOW" indicator light illuminate during cleaning, it means the water box is in lack of water and cleaning fails. In this case, turn the unit off. After the "WATER LOW" indicator light goes out, turn the unit on again. Then fill the reservoir with cleaner and repeat step 5.











Note: After auto-cleaning, use the first 3 ice making cycles to flush out the system. Discard the water and ice created from these initial cycles.

Notes for Descaling:

- In hard water areas lime scale can build up within the appliance after prolonged use. We suggest installing a water filter before inlet of water in case the supplied water is hard.
- To descale, always choose a suitable descaler and follow the manufacturer's instructions.
- POLAR recommend that this appliance is descaled every 3 months or more frequently in hard water areas.

Troubleshooting

A qualified technician should carry out repairs if required.

Fault		Probable Cause	Solution
The appliance is not working		The unit is not switched on	Check the unit is plugged in correctly and switched on
		Plug or lead is damaged	Replace plug or lead
		Mains power supply fault	Check mains power supply
		Ambient temperature below 10°C	Move appliance to a warmer position
		Water supply fault	Check water supply is on and supply hoses are not blocked
Appliance is noisy or works intermittently		Power fluctuations	Turn off the ice maker and restart after 3 minutes
Compressor runs but no ice is made		Refrigerant leak or block in the refrigerant system	Call POLAR agent or qualified technician
	Water low light is On	Water not connected	Connect ice maker to water supply
		Water filter is blocked	Clean water filter and restart ice maker
		Water pressure too low	Water pressure should be between 100kPa - 400kPa (14.5-58psi). Call plumber to check water supply
	Ice Full light is On	Ice bin full	Empty the ice bin
		Room temperature is too low	Move the appliance to a warmer position
	Fault light is On	Water box is blocked and cannot tilt	Disconnect from the power supply. Remove some of the ice cubes and gently tilt the water box. Restart the ice maker after 3 minutes
  	Water low, ice full and fault lights flash together	Or, Motor system fault	If problem still persists, Call POLAR agent or qualified Technician
	When unit on, fault light flashes once every 6s	Ice sensor fault, cannot make ice	Check if ice sensor is connected properly. If normal, call POLAR agent or qualified technician
	When unit on, fault light is On but "RUN" light Off		
	When unit on, fault light flashes twice every 6s	Ambient temperature sensor fault, cannot make ice	Check if ambient temperature sensor is connected properly. If normal, call POLAR agent or qualified technician
	When unit on, ice full light is On but "RUN" light Off		
	When unit on, fault light flashes thrice every 6s	Water temperature sensor fault, cannot make ice	Check if water temperature sensor is connected properly. If normal, call POLAR agent or qualified technician
	When unit on, water low light is On but "RUN" light Off		

Technical Specifications

Note: Due to our continuous improvement process, the product specifications are subject to change without notice.

Model	Voltage	Power	Current	Bin storage	Max ice making capacity
GK031-A	220-240V~ 50Hz	148.27W	0.777A	3.5kg	20kg/24 hours
GK032-A	220-240V~ 50Hz	261.01W	1.34A	10kg	50kg/24 hours

Model	Refrigerant	Dimensions H x W x D mm	Net Weight
GK031-A	R600a 38g	590 x 380 x 477	24.1kg
GK032-A	R290 66g	831 x 498 x 604	39.5kg

Electrical Wiring

The appliance is supplied with a plug as per the below table (the correct current to be selected depending on the appliance).

Region	Plug standard	Current rating(s)
Australia & New Zealand	AS/NZS 3112	10A

The plug is to be connected to a suitable mains socket.

This appliance must be earthed.



If in doubt consult a qualified electrician.

Electrical isolation points must be kept clear of any obstructions. In the event of any emergency disconnection being required they must be readily accessible.

Compliance

The product must not be disposed of as household waste. To help prevent possible harm to human health and/or the environment, the product must be disposed of in an approved and environmentally safe recycling process. For further information on how to dispose of this product correctly, contact the product supplier, or the local authority responsible for waste disposal in your area.

POLAR parts have undergone strict product testing in order to comply with regulatory standards and specifications set by international, independent, and federal authorities.

POLAR products have been approved to carry the following symbol:



All rights reserved. No part of these instructions may be produced or transmitted in any form or by any means, electronic, mechanical, photocopying, recording or otherwise, without the prior written permission of POLAR.
Every effort is made to ensure all details are correct at the time of going to press, however, POLAR reserve the right to change specifications without notice.

DECLARATION OF CONFORMITY

- Conformiteitsverklaring • Déclaration de conformité • Konformitätserklärung • Dichiarazione di conformità •
- Declaración de conformidad • Erklæring om samsvar

Equipment Type • Uitrustingsstype • Type d'équipement • Gerätetyp • Tipo di apparecchiatura • Tipo de equipo • Utstyrstype	Model • Modèle • Modell • Modello • Modelo • Modell
G-Series Countertop Ice Machine 20kg Output G-Series Under Counter Ice Machine 50kg Output	GK031-A GK032-A
Application of Territory Legislation & Council Directives(s) Toepassing van Europese Richtlijn(en) • Application de la/des directive(s) du Conseil • Anwendbare EU-ichtlinie(n) • Applicazione delle Direttive • Aplicación de la(s) directiva(s) del consejo • Anvendelse av territoriell lovgivning og rådsdirektiv(er)	Electrical Safety IEC 60335-1:2010+A1:2013 +A2:2016 IEC 60335-2-89: 2019 Electro-Magnetic Compatibility (EMC) EN IEC 61000-6-1: 2019 EN IEC 61000-6-3: 2021
Manufacturer Name • Naam fabrikant • Nom du fabricant • Name des Herstellers • Nome del fabbricante • Nombre del fabricante • Produsentens navn	Nisbets Limited

I, the undersigned, hereby declare that the equipment specified above conforms to the above Territory Legislation, Directive(s) and Standard(s).

Ik, de ondergetekende, verklaar hierbij dat de hierboven gespecificeerde uitrusting goedgekeurd is volgens de bovenstaande Richtlijn(en) en Standaard(en).

Je soussigné, confirme la conformité de l'équipement cité dans la présente à la / aux Directive(s) et Norme(s) ci-dessus
Ich, der/die Unterzeichnende, erkläre hiermit, dass das oben angegebene Gerät der/den oben angeführten Richtlinie(n) und Norm(en) entspricht.
Il sottoscritto dichiara che l'apparecchiatura di sopra specificata è conforme alle Direttive e agli Standard sopra riportati.
El abajo firmante declara por la presente que el equipo arriba especificado está en conformidad con la(s) directiva(s) y estándar(es) arriba mencionadas.

Undertegnede erklærer herved at utstyret som er spesifisert ovenfor, er i samsvar med ovennevnte territoriell lovgivning, direktiv(er) og standard(er).

Date • Data • Date • Datum •
Data • Fecha • Dato

Signature • Handtekening •
Signature • Unterschrift Firma •
Firma • Signatur

Full Name • Volledige naam • Nom
et prénom • Vollständiger Name •
Nome completo • Nombre complete
• Fullt navn

Position • Functie • Fonction •
Position • Qualifica • Posición •
Posisjon

Manufacturer Address • Adres
fabrikant • Adresse du fabricant •
Adresse des Herstellers • Indirizzo del
fabbricante • Dirección del fabricante
• Produsentens adresse

28th Apr 2026

Signed by:

Ashley Hooper

AB6DB7656FFB441...

Ashley Hooper

Group Head of Product Quality & Compliance

15 Badgally Road, Campbelltown NSW 2560



POLAR



<http://www.polar-refrigerator.com/> 

GK031-A_GK032-A_A5_v6_2026/05/14